



VHA9 9 PAN AMBIENT HOLDING & TRANSPORT CABINET



Model VHA9

STANDARD FEATURES

- Nine level holding and transport cabinet accepts eighteen 18" x 26" pans or thirty-six 12" x 20" pans, pans may be up to 2 3/4" tall
- Heavy duty 20 gauge polished stainless steel cabinet
- Set of 5" casters, two swivel with brakes and two rigid
- Full size polycarbonate door with field reversible heavy duty hinges, door latch mechanism, and gaskets
- Fixed interior pan supports are designed to accommodate pan covers for transporting, and are removable for easy cleaning
- One year limited parts and labor warranty

SPECIFICATIONS

Nine level holding and transport cabinet, Vulcan Hart Model No. VHA9. Heavy duty 20 gauge polished stainless steel cabinet. Four 5" casters, 2 swivel with brakes, 2 rigid. Polycarbonate door with heavy duty hinges, door latch mechanism, and gaskets. Interior pan supports are designed to accommodate pan covers for transporting, and are removable for easy cleaning. Accepts nine 18" x 26" pans or eighteen 12" x 20" x 2 3/4" pans.

Exterior Dimensions: 25 1/4" W x 30 3/4" D x 43 1/2" H

UL listed. UL listed to Canadian safety standards



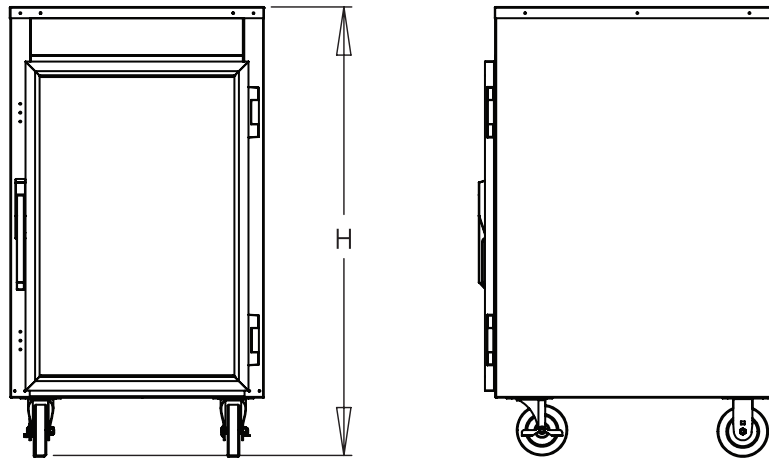
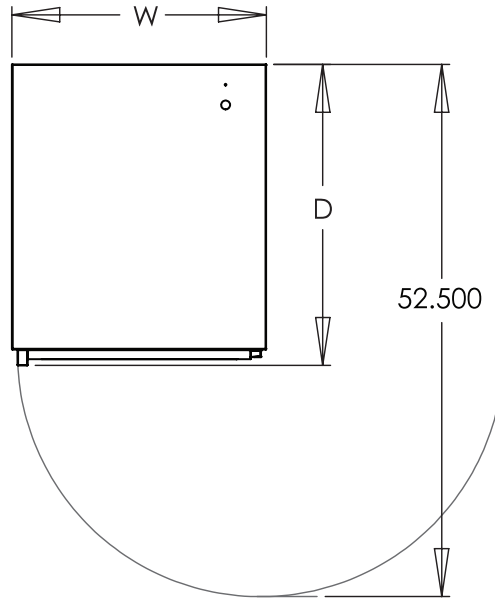
Vulcan & Wolf Range

a division of ITW Food Equipment Group LLC

P.O. Box 696 ■ Louisville, KY 40201 ■ Toll-free: 1-800-814-2028 ■ Local: 502-778-2791 ■ Quote & Order Fax: 1-800-444-0602



VHA9
9 PAN AMBIENT
HOLDING & TRANSPORT CABINET



CAPACITY		DIMENSIONS
18" X 26" PANS	12" X 20" PANS	EXTERIOR DIMENSIONS
9	18	25 1/4" W x 30 3/4" D x 43 1/2" H

Vulcan & Wolf Range reserves the right to change materials and specifications without notice.



Vulcan & Wolf Range
 a division of ITW Food Equipment Group LLC

P.O. Box 696 ■ Louisville, KY 40201 ■ Toll-free: 1-800-814-2028 ■ Local: 502-778-2791 ■ Quote & Order Fax: 1-800-444-0602